



MITSUBISHI
MOTORS

INTELLIGENT MOTION



SHOGUN

THE LEGEND LIVES ON



"This is my 4th Shogun over the past 20 years. They cannot be beaten off road and are bullet-proof. Good value compared with others similarly loaded and should sell more." Mr RS



LOVING THE JOB IT WAS BRED FOR

In 1982 Mitsubishi Motors Corporation launched a brand new breed of car: a 4x4 which was tough enough to go where others feared to tread, yet which enjoyed the sort of sophisticated specification more normally associated with top end saloons. 35-years later the Shogun is an icon. It is a long-time, long-term favourite of those who own and live with it, and who make real pack-horse/tow-truck/mud-plugging demands of their vehicle on a regular basis. 70% of all new Shogun sales are repeat purchases – maybe you should find out why?



“As an owner of Mercedes, Toyota and Land Rover, the Shogun is an exceptionally brilliant and reliable car. It looks amazing and has a solid build that will last for years, and the new model SG4 which I now have is beautifully loaded and oozes style and quality... Go check it out today... it’s actually rather good!” Ms MR



HONED INTO A CLASSIC

The Shogun has changed considerably since the early days, but the principle has never varied: to this day it remains a dyed-in-the-wool, no-holds-barred, authentic off-roader, built to outlast the opposition if not the owner.

Indulgent yet supremely practical, it is superb value for money; unbeatable for loading, lugging and pulling heavy objects, and absolutely unstoppable in the wild. The technical superiority of its drivetrain, four-wheel independent suspension and stability and traction control systems have been honed in the extreme conditions of cross-country rallying, and its phenomenal reliability has been proven, beyond a shadow of a doubt, time and time again.

This is now the fourth generation of one of the world's favourite, most successful and most enduring 4x4s, and it is the strongest, quietest, safest and smartest Shogun ever built. Striking just the right balance between discarding what should be discarded and stubbornly refusing to change what should remain, it both introduced new technologies and built upon breakthroughs from previous models, revising and improving them to create the ultimate, classic 4x4.

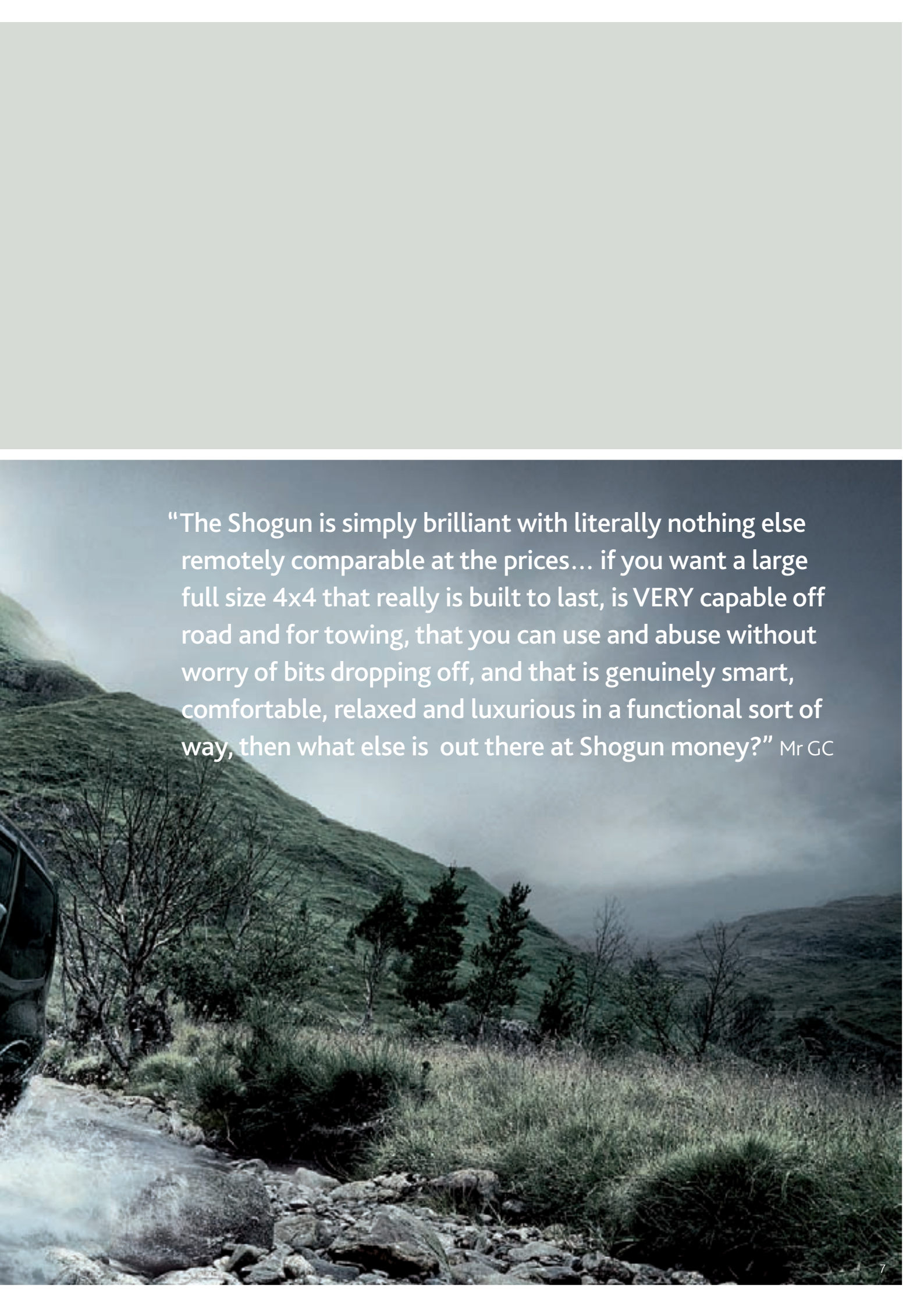
HONEST, AUTHENTIC AND LOADS OF FUN

Year on year the Shogun just gets better: tweaked, fettled and refined a little more without ever losing sight of its true role in life. It was the very first authentic off-roader to utilise a monocoque body but over the years this has become stronger and stiffer, with better front:rear weight distribution, a lower centre of gravity, wider tracks and an improved all-wheel independent suspension system, so that it now feels more solid, more stable, quite simply more comfortable on the road.

It is driven by a punchy, double overhead camshaft, 16-valve, turbocharged and intercooled, 3.2 litre, direct injection diesel engine which provides masses of low-down torque yet never runs out of power in the mid-range. This is linked to a highly acclaimed, smart-thinking, INVECS-II automatic transmission, standard on all models, which emulates your own driving style with its gear changes.

Granted the Shogun may never beat a hot hatch off the line, but put pedal to the metal and it will fly when asked, or cruise happily at high speeds on the motorway; and for a big, brawny beast of a car it will return surprisingly acceptable fuel consumption whilst doing so.



A scenic mountain landscape featuring a rocky, unpaved path in the foreground. The terrain is covered in green grass and scattered trees, including some evergreens. In the background, misty or foggy mountains rise against a grey sky. The front corner of a dark-colored vehicle is visible on the left side of the frame.

“The Shogun is simply brilliant with literally nothing else remotely comparable at the prices... if you want a large full size 4x4 that really is built to last, is VERY capable off road and for towing, that you can use and abuse without worry of bits dropping off, and that is genuinely smart, comfortable, relaxed and luxurious in a functional sort of way, then what else is out there at Shogun money?” MrGC



IT'S A FULL-ON 4X4

The Shogun is, and always has been, a 4x4 specifically designed to climb, to tow and to carry heavy loads; to plough through snow and negotiate rocks, clamber slippery slopes, wade water and navigate deep, clinging mud.

Of course, such mastery calls for some serious hardware, so the Shogun's Super Select (SS4-II) drivetrain works in conjunction with Mitsubishi's highly acclaimed Active Stability and Traction Control system and boasts not one, but three four-wheel drive modes. You can change from fuel-efficient two-wheel drive to 4H at speeds of up to 62 mph, ideal when the weather deteriorates. When the going gets tougher, simply select 4HLc; this locks the centre differential with power equally distributed between both axles and helps to maintain traction on low-grip surfaces.

For maximum off-road ability, for example really steep climbing and descents, or for deep mud, sand or snow, select 4LLc to maximise low-end power and virtually double the effective engine braking in any gear.

Of course, the Shogun's 4x4 abilities aren't confined to wild terrain – for many years they have also made it one of the world's favourite towcars and, with maximum torque available at just 2000 rpm, the Long Wheel Base model can pull its 3.5 tonne maximum capacity around with ease - no car can beat it.



EXTREME MACHINE

Extreme off-road conditions mean water so deep and angles so crazy you would think no car could cope. But the Shogun can, and loves it. Indeed, it's likely that your nerve will run out long before this Shogun says enough!

“If you need a real 4x4 that is comfy
and **DEPENDABLE** try one.” Jeremy 123





“I loved it right from the start... It has a very luxurious cabin and comfortable seats. It feels very steady and powerful to drive.. It also makes very light work of towing our caravan. I WOULD BUY ANOTHER FOR MY NEXT CAR!!!” MrAC



COMFORT ZONE

Seated high above the traffic, in the Shogun's seemingly giant-sized seats, you feel comfortable, safe and slightly superior. Yet despite the commanding view, the specially shaped side sill provides a moderate step-to-seat distance for easier access, whilst the monocoque body enables a lower floor and tailgate sill for easier loading.

Three decades' experience in 4x4 travel mean that the seats themselves are eminently suited to the task. For example, the driver's seating position is upright and slightly offset towards the door for optimum operation when driving at steep angles off-road, although height and lumbar adjusters in the heated, electrically operated, multi-way adjustable seats* enable drivers to fine-tune their comfort.

And remember, the LWB model is a genuine seven-seater, offering those in the back row a natural seating position and almost as much head-room as the first two rows. Alternatively, the third row folds easily away (or can be removed entirely) to provide a flat loading base and cavernous cargo space.

*Specifications vary by model – please refer to pages 32-34 for full details.

ROOM WITH A VIEW

Superior comfort in a vehicle built to contend with the tougher side of life is fundamental to the Shogun philosophy. The materials used throughout are of soft-touch quality yet still tough enough to cope with this vehicle's eminently practical nature, after all it's designed to carry the spoils of a good day's shooting, a couple of wet dogs and several hundredweight of fodder one day, then haul the family off to ski in the Alps on the next.

Of course, everything is designed to make motoring more pleasurable wherever you go: the air conditioning is climate controlled (with separate controls for rear seat passengers in LWB models, windows and door mirrors are electric, and you have cruise control, satellite navigation, a superb music system with remote audio controls, Bluetooth® connection, a reversing camera and leather upholstery as standard in most models*. And since it's designed to stand the test for a very long time, this leather will look just as good in a decade or so.

*Specifications vary by model – please refer to pages 32-34 for full details.



“I operate in extreme environments such as Alpine passes and then have to drive huge distances... It is very comfortable, with good seats, reasonable driving position, a very good 6 speaker sound system, very smooth auto box, lots of space inside, much improved black plastics and shiny surfaces...” MrMW



PM 12:00 OUTSIDE TEMP 21°C

OUTSIDE TEMP

-4h 25
10

RESET

INFO [] [] [] [] [] ADJ

VOL TUNE/ZOOM

PUSH PWR PUSH SOUND

Mitsubishi Multi Communication System

 Link System

RADIO SEEK TRACK
 MEDIA OPEN CLOSE
 PHONE

dts DOLBY Pcm/DIA

[] INFO/SET ▲ MAP ☰ NAV

ROCKFORD
ACOUSTIC DESIGN

25.0

AUTO MODE OFF
 REAR

A SUPERIOR SOUND SYSTEM

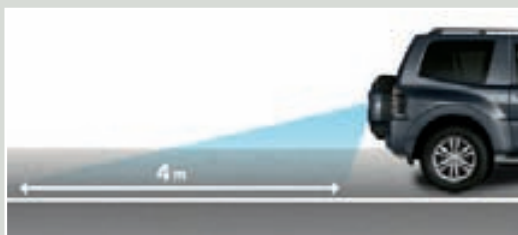
The Shogun's premium 860w audio system* was specifically designed by Rockford Acoustic Design™ and includes a DAB radio (fitted to all models with satellite navigation), an AM/FM receiver and a CD player which is MP3 compatible. The home theatre sound system supports Dolby Pro Logic II, Dolby Digital and DTS Digital Sound Technologies for incomparable sound quality and a digital signal processor enables you to create the optimum acoustic characteristics to match your sound source and personal preference, all channelled through a 12-speaker system which includes four tweeters, three mid-range, four mid-base and a sub-woofer. Features also include speed-compensated volume, which automatically adjusts the sound level in accordance with vehicle speed, as well as a 'seat position selection' which enables you to tailor and aim the sound optimally according to the number of occupants.

*SG3 models upwards

SATELLITE NAVIGATION AND MORE

The Shogun showcases Mitsubishi's SD satellite navigation system. Capable of accepting an SD card of up to 32GB, this advanced system allows easy uploading of music files and navigation updates, and accepts full 7-digit postcodes for accurate destination targeting. Location searches

and route finding are ultra-fast and include up-to-date congestion and other relevant traffic information via the Traffic Message Channel. The 7-inch full-colour screen features improved resolution with Flash® animation and graphics which are easy to use and understand.



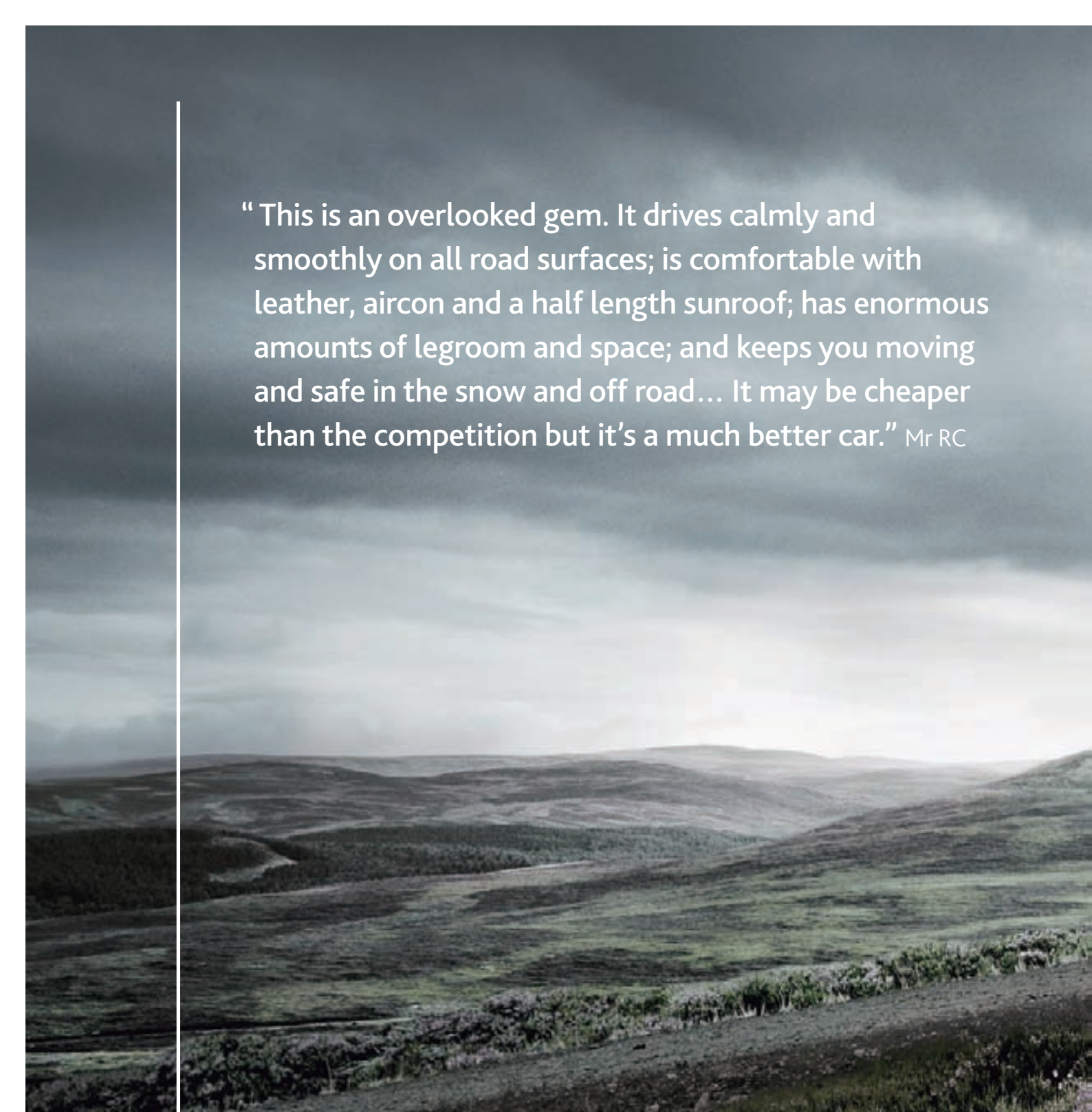
REAR VIEW CAMERA

A boon to parking, the Shogun's rear view camera is automatically engaged upon selecting reverse gear and the results displayed on the central screen.



DVD ENTERTAINMENT SYSTEM

The headrest mounted DVD entertainment system, standard on the SG4 model, includes two wireless headphones and HD screens.



“This is an overlooked gem. It drives calmly and smoothly on all road surfaces; is comfortable with leather, aircon and a half length sunroof; has enormous amounts of legroom and space; and keeps you moving and safe in the snow and off road... It may be cheaper than the competition but it’s a much better car.” Mr RC



SAFETY TO THE FORE


A Shogun doesn't simply appear tough and ultra-protective, it really is. That commanding seating position not only makes you feel safer, it actually gives you a clearer view of obstacles ahead. Combined with Mitsubishi's state-of-the-art stability and traction control system and superior brakes it gives you more chance to take effective evasive action. But if it does come to the crunch, the Shogun's hunky body doesn't just look imposing, it's designed to handle the impact of travelling over really rough terrain and hides a built-in frame which provides a particularly rigid structure, substantial reinforcement and strategically placed crumple zones to absorb impact energy and so keep occupants as safe as possible.





INVEST IN A FUTURE CLASSIC

The Mitsubishi Shogun is a total one-off – there is simply nothing else quite like it. It is individual, commanding, and perhaps even slightly aloof; it transcends fashion, is as tough as nails and as sturdy as an oak, and, statistically, it's likely to be with you for a good many years, so maybe you should opt for the coolest Shogun you can – the Shogun SG5. Externally you'll find the differences to be subtle – some rather nice alloys and inserts on the side steps; but inside it's quite a different story – cool lighting, sumptuous leather and even some additional practical features, like heated seats to the rear as well as the front. Go on – your family will thank you.

A photograph showing a person wearing a cap and jacket riding a horse in a field. In the foreground, there are several other horses. The background features a line of trees and a bright sky with scattered clouds. The scene is captured in a warm, golden light, likely during the late afternoon or early morning.

“I bought my Shogun Warrior Long Wheel base Auto 3.2 Diesel 11 years ago and still use it most days. I have covered some 152000 miles, mostly tarmac but also off-road and towing occasionally... the vehicle owes me nothing... I would love another...” Mr SJ

LIVING WITH THE LEGEND

Whether you opt for the five-seater Short Wheel Base or the full seven-seater Long Wheel Base, the Shogun is a big vehicle with a big presence. Yet it is easy to drive thanks to light, crisp and responsive power-assisted rack and pinion steering, easy to stop thanks to a hydro-boost power brake system, and easy to park thanks to reversing sensors*, a rear camera* and a surprisingly tight turning circle.

Of course it's no lightweight city slicker which runs on fresh air, but it really does use far less fuel than you might expect for a vehicle of this size. Its servicing costs are surprising modest, thanks to Mitsubishi's fixed price service plans, furthermore it has an exceptional reputation for reliability and should be your faithful companion through fair weather and foul for many years to come. In fact, it's the perfect vehicle for people who really need a 4x4, so take the plunge, live with a Shogun for just a short while and you'll wonder how you ever lived without it.

*Specifications vary by model – please refer to pages 32-34 for full details.



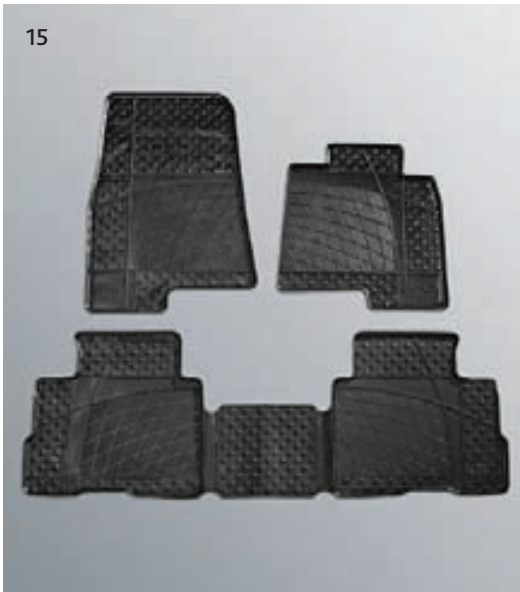
ACCESSORISE YOUR SHOGUN

The Shogun is an exceptional vehicle, and never more so than in this, its fourth generation. Strength, build-quality and reliability, always synonymous with the Shogun, are further enhanced; specification is even more luxurious. But there are always ways to personalise your Shogun to make it fit your needs precisely. Indeed, there are over 100 factory-designed accessories available, all of which benefit from a three-year 62,500-mile warranty if fitted at the time of purchase. Visit www.mitsubishi-cars.co.uk/Shogun for details of them all and make the very most of your Shogun.



1. Door handle covers, titanium finish
2. Door handle covers, chrome
3. Door handle recess covers
4. Rear spoiler (for SG2 – standard on all other models)
5. Spare wheel carrier top garnish, chrome (for LWB models)
6. Front bumper garnish, chrome
7. Door mirror covers, titanium finish
8. Door mirror covers, chrome
9. Side step inlay plates, stainless steel (standard on LWB SG5)





10. Towbar, detachable type
(design differs from that shown)
11. Towbar, fixed type
12. Textile mat set, LWB
13. Roof carrier
14. Sports pedal kit (standard
on SWB Barbarian)

15. Rubber mat set, LWB
16. Boot mat
17. Boot tray, low edges
18. Headrest DVD & HDMI system
(standard on LWB SG4)
19. Boot tray, high edges

SHORT WHEEL BASE SG2 3-DOOR

AUTOMATIC



KEY FEATURES

- Mitsubishi Active Stability and Traction Control (M-ASTC)
- ABS with EBD
- Front/side/curtain SRS airbags
- Tyre pressure monitoring system
- 18" alloy wheels
- Roof rails
- Side steps
- HID headlamps with washers and auto-levelling
- Front fog lamps
- LED daytime running lights
- Rain and dusk sensors
- Colour keyed door mirrors and handles
- Electric folding heated door mirrors
- Electric front windows
- Central locking
- Alarm and keyless entry
- Tonneau cover
- Climate control
- Cruise control
- Leather wrapped steering wheel
- Heated front seats
- Multi-info display
- FM/AM CD/tuner with MP3 and 6 speakers
- Bluetooth® hands-free telephone connection with music streaming
- USB port

SHORT WHEEL BASE WARRIOR 3-DOOR

AUTOMATIC



KEY FEATURES

SPECIFICATION AS SG2 PLUS:

- Leather upholstery
- Powered driver's seat
- Privacy glass
- Chrome door mirrors and handles
- Rear spoiler
- Chrome headlamp surrounds
- Reversing camera
- Satellite navigation system with 7" touch-screen
- DAB radio

SHORT WHEEL BASE BARBARIAN 3-DOOR

AUTOMATIC



KEY FEATURES

SPECIFICATION AS WARRIOR PLUS:

- 20" black/silver alloy wheels
- Colour keyed full spare wheel cover
- Aluminium sports pedals
- Barbarian leather upholstery

LONG WHEEL BASE SG2 5-DOOR

AUTOMATIC



KEY FEATURES

- Mitsubishi Active Stability and Traction Control (M-ASTC)
- ABS with EBD
- Front/side/curtain SRS airbags
- Tyre pressure monitoring system
- 18" alloy wheels
- Roof rails
- Side steps
- HID headlamps with washers and auto-levelling
- Front fog lamps
- LED daytime running lights
- Rain and dusk sensors
- Colour keyed door mirrors and handles
- Electric folding heated door mirrors
- Electric windows
- Central locking
- Alarm and keyless entry
- Tonneau cover
- Climate control
- Rear air conditioning
- Cruise control
- Leather wrapped steering wheel
- Heated front seats
- Multi-info display
- FM/AM CD/tuner with MP3 and 6 speakers
- Bluetooth® hands-free telephone connection with music streaming
- USB port

LONG WHEEL BASE SG3 5-DOOR

AUTOMATIC



KEY FEATURES

SPECIFICATION AS SG2 PLUS:

- Electric sunroof
- Privacy glass
- Rear spoiler
- Reversing camera
- Rear parking sensors
- Powered front seats
- Leather upholstery
- Headlamp auto high beam control
- 860W Rockford Acoustic Design™ premium audio system with 12 speakers
- Satellite navigation system with 7" touch-screen
- DAB radio

LONG WHEEL BASE SG4 5-DOOR

AUTOMATIC



KEY FEATURES

SPECIFICATION AS SG3 PLUS:

- 20" alloy wheels
- Rear headrest entertainment system

LONG WHEEL BASE SG5 5-DOOR

AUTOMATIC



KEY FEATURES

SPECIFICATION AS SG4 PLUS:

- Premium 20" alloy wheels
- Premium leather upholstery
- Premium floor mat set (including boot mat)
- Heated rear seats
- Twin rear USB ports
- LED mood lighting
- LED interior lamp package
- 'SHOGUN' bonnet badge
- Side step inlays, stainless steel
- Front door entry guards

LESS:

- Rear headrest entertainment system





SWB 3-Door SG2 4Work (Automatic)



SWB 3-Door Warrior 4Work (Automatic)



SWB 3-Door Barbarian 4Work (Automatic)



LWB 5-Door SG2 4Work (Automatic)

SWB 3-DOOR/LWB 5-DOOR SG2 4WORK

KEY FEATURES:

- Mitsubishi Active Stability and Traction Control (M-ASTC)
- ABS with EBD
- Front/side SRS airbags
- Tyre pressure monitoring system
- 18" alloy wheels
- Roof rails
- Side steps
- HID headlamps with washers and auto-levelling
- Front fog lamps
- LED daytime running lights
- Rain and dusk sensors
- Colour keyed door mirrors and handles
- Electric folding heated door mirrors
- Electric front windows
- Central locking
- Alarm and keyless entry
- Climate control
- Cruise control
- Leather wrapped steering wheel
- Heated front seats
- Multi-info display
- FM/AM CD/tuner with MP3 and 6 speakers
- Bluetooth® hands-free telephone connection with music streaming
- USB port

SWB 3-DOOR WARRIOR 4WORK AUTOMATIC

KEY FEATURES

SPECIFICATION AS SG2 4WORK PLUS:

- Leather upholstery
- Powered driver's seat
- Tailgate privacy glass
- Chrome door mirrors and handles
- Rear spoiler
- Chrome headlamp surrounds
- Reversing camera
- Satellite navigation system with 7" touch-screen
- DAB radio

SWB 3-DOOR BARBARIAN 4WORK AUTOMATIC

KEY FEATURES

SPECIFICATION AS WARRIOR 4WORK PLUS:

- 20" black/silver alloy wheels
- Colour keyed full spare wheel cover
- Aluminium sports pedals
- Barbarian leather upholstery

WORKING HARD IN THE COMMERCIAL WORLD

If you need a van which you can rely on day-in, day-out, a van which can operate in all road and weather conditions and can carry a payload of up to 655 kg in addition to towing up to 3,500 kg then the Shogun 4Work is the ideal answer. Fully compliant with Revenue and Customs build regulations, the Shogun 4Work combines all the tax advantages of a light commercial vehicle – substantially reduced Benefit in Kind liabilities for employees as well the potential to reclaim VAT for registered companies – with all the considerable ride and drive advantages of a Shogun. Given the Shogun's principal attributes – indulgent yet practical, superb value for money, unbeatable for loading and towing and virtually unstoppable in any terrain – it will come as little surprise to know that the Shogun has been chosen by public utilities, the Highways Agency and over half of this country's police forces. The Shogun Short Wheel Base 4Work is available with automatic transmission and in SG2, Warrior and Barbarian specifications. The Shogun Long Wheel Base SG2 4Work is available with automatic transmission.



me & my MITSUBISHI

When you buy a new Mitsubishi, you not only get a safe and reliable vehicle that is a real pleasure to drive, you also become part of the Mitsubishi family. And as our nearest and dearest, we want you to feel protected should you ever encounter a problem – that's why we have **me&my**.

All new Shoguns are provided with a comprehensive **five-year, 62,500-mile warranty** and **12-year anti-corrosion, perforation warranty**. Please ask your Authorised Mitsubishi Dealer for full details.

With the **Mitsubishi Assistance Package (MAP)** we go the extra mile. For the first three years following registration our assistance programme is there to help should you breakdown at the roadside or at home. It provides vehicle recovery following a breakdown or accident and help if your vehicle is stolen or vandalised and, if you should accidentally fill up with the wrong fuel, don't worry – we'll be there for you then too. What's more, you're covered 24/7 in over 30 countries throughout Europe. So whether you're on the daily school run or cruising through the Alps on your holidays, it's comforting to know that if the unexpected does happen, help is always at hand.

And should you be unlucky enough to have an accident we have **Mitsubishi First** – our customer support service for all Mitsubishi drivers following an accident. No matter which insurer you use, Mitsubishi First smooths your progress through an insurance claim, handling everything on your behalf – no hassle, no claim forms, no running about, and absolutely no cost to you.

And once you're part of the family... it's service with a smile.

A **Mitsubishi Service Plan**, purchased at the same time as your Shogun, covers the first three scheduled services for a modest sum. It can be included in your vehicle's finance and transferred to a new owner if you sell.

Mitsubishi Motors also offer superior **insurance cover** at a competitive price which is specifically designed for Mitsubishi vehicles and uses only genuine parts and approved repair centres.



Spare wheel carrier for LWB 5-Door models.

All quotations are excerpts from genuine owner reviews posted on reputable websites.

COLOUR OPTIONS AND SEAT TRIMS



COOL SILVER (M)



DIAMOND BLACK (P)



FROST WHITE (S)



EIGER GREY (M)



FAIRWAY GREEN (P)



DEEP BRONZE (M)

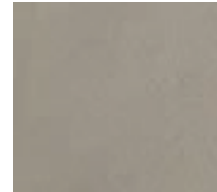


IMPERIAL RED (P)

PREMIUM LEATHER TRIMS (SG5)



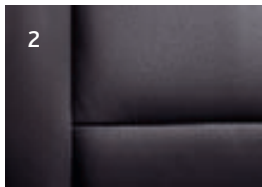
CLARET RED



PORCELAIN CREAM



GUNMETAL GREY



- 1 Black Fabric (SG2)
- 2 Black Leather (Warrior/SG3/SG4)
- 3 Beige Leather (SG3/SG4)
- 4 Black Leather (Barbarian)

EXTERIOR COLOUR	SWB/LWB SG2	SWB Warrior/Barbarian	LWB SG3 / SG4		LWB SG5
Cool Silver (M)	■	■	■	–	■
Diamond Black (P)	■	■	■	–	■
Frost White (S)	■	■	■	–	■
Fairway Green (P)	■	■	■	–	■
Imperial Red (P)	■	■	■	–	■
Eiger Grey (M)	■	■	■	–	■
Deep Bronze (M)	–	–	–	■	■
Seats	Fabric (Black)	Leather (Black)	Leather (Black)	Leather (Beige)	Premium Leather (Red, Cream or Grey)
Door trim	Formed-type with Leather-look Inserts (Black)	Formed-type with Leather-look Inserts (Black)	Formed-type with Leather-look Inserts (Black)	Formed-type with Leather-look Inserts (Beige)	Formed-type with Leather Inserts (Red, Cream or Grey)
Headlining	Non-woven Fabric (Beige)	Non-woven Fabric (Beige)	Non-woven Fabric (Beige)	Non-woven Fabric (Beige)	Non-woven Fabric (Beige)
Floor carpet	Needle Punch (Black)	Needle Punch (Black)	Needle Punch (Black)	Needle Punch (Black)	Needle Punch (Black)

TECHNICAL SPECIFICATIONS

		Shogun SWB Automatic	Shogun LWB Automatic
ENGINE			
Engine type		In-line 4-cylinder 16-valve DOHC diesel engine, turbocharger with intercooler	
Fuel system		Electronically controlled Common Rail Direct Injection Diesel (DI-DC)	
Emissions control system		Oxidation catalytic converter with closed flow Diesel Particulate Filter	Oxidation catalytic converter with closed flow Diesel Particulate Filter
Displacement	cc	3200	3200
Bore x stroke	mm	98.5 x 105.0	98.5 x 105.0
Compression ratio		16.0	16.0
Max. output	kw (PS) at rpm	140 (190)/3500	140 (190)/3500
Max. torque	Nm (lb.ft) at rpm	441 (325)/2000	441 (325)/2000
PERFORMANCE/FUEL CONSUMPTION/EMISSIONS			
Maximum speed	mph (kph)	111 (180)	111 (180)
Acceleration 0-62 mph	secs	10.4	11.1
Fuel type		Diesel	Diesel
Fuel consumption lts/100km (mpg)	Urban Extra urban mode Combined mode	10.3 (27.4) 8.3 (34.0) 9.0 (31.4)	10.5 (26.9) 8.6 (32.8) 9.3 (30.4)
CO ₂ emissions	g/km	238	245
Emissions compliance		EU-6b	EU-6b
SUSPENSION/STEERING			
Front axle		Independent double wishbone, coil springs, telescopic shock absorbers, stabiliser bar	
Rear axle		Independent multi-link, coil springs, telescopic shock absorbers, stabiliser bar	
Brakes	Front Rear	Multi-mode Anti-lock Braking System with Electronic Brakeforce Distribution 290mm (11.4") ventilated disc (2-pot) 300mm (11.8") ventilated disc	332mm (13.1") ventilated disc (4-pot) 332mm (13.1") ventilated disc
Steering		Rack and pinion, power-assisted	Rack and pinion, power-assisted
Min. turning circle	m (ft)	10.6 (34.8)	11.4 (37.4)
Wheels / Tyres		18" x 7.5JJ alloy / 265/60R18 110H (SWB Barbarian/LWB SG4 & SG5: 20" x 8.5JJ alloy / 265/50R20 111W)	
DRIVELINE/TRANSMISSION			
Type		Super Select (SS4-II) 4WD system with electronic transfer shift and Mitsubishi Active Stability & Traction Control System	
Transmission		5-speed INVECS-II with Sports Mode	5-speed INVECS-II with Sports Mode
Clutch		Torque converter	Torque converter
DIMENSIONS			
Cargo room l x w x h	mm	840 x 1395 x 1105	1430 x 1395 x 1110
Cargo capacity max.	lts VDA (cu.ft.)	1120 (39.5)	1790 (63.2)
Exterior l x w x h	mm	4385 x 1875 x 1870	4900 x 1875 x 1890
Exterior width over extended door mirrors	mm	1905	1905
Ground clearance (unladen)	mm	210	210
Track Front / Rear	mm	1560 / 1560	1570 / 1570
Wheelbase	mm	2545	2780
Approach angle	degrees	34.6	34.5
Departure angle	degrees	34.3	24.5
Ramp breakover	degrees	24.1	22.2
Wading depth	mm	700	700
WEIGHTS/VOLUMES			
Seating capacity		5	7
Fuel tank capacity	lts (imp.galls)	69 (15.1)	88 (19.3)
Gross vehicle weight	kg (lbs)	2665 (5875)	3030 (6680)
Kerb weight	kg (lbs)	2185 (4817)	2375 (5235)
Towing capacity Braked Unbraked	kg (lbs) kg (lbs)	3000 (6613) 750 (1653)	3500 (7716) 750 (1653)
Trailer nose weight	kg (lbs)	140 (308)	140 (308)
Roof loading capacity	kg (lbs)	100 (220)	100 (220)
SERVICING/WARRANTY			
Service intervals		Every 12,500 miles or 12 months, whichever occurs first	
Warranty		5 year/62,500 mile warranty (first 24 months unlimited mileage, thereafter 36 months or 62,500 miles from date of registration, whichever occurs first), 12 year anti-corrosion perforation warranty, 3 year pan-European roadside, home and accident assistance.	

STANDARD AND OPTIONAL EQUIPMENT

SECURITY AND SAFETY FEATURES	Shogun SWB/LWB SG2	Shogun SWB Warrior	Shogun SWB Barbarian	Shogun LWB SG3	Shogun LWB SG4	Shogun LWB SG5
SECURITY						
Engine immobiliser and alarm system	■	■	■	■	■	■
Locking wheel nuts	■	■	■	■	■	■
Luggage cover, rigid type	SWB	■	■	-	-	-
Luggage cover, retractable	LWB	-	-	■	■	■
Visible VIN	■	■	■	■	■	■
SAFETY						
ABS with EBD	■	■	■	■	■	■
Airbags SRS, front, front side and curtain	■	■	■	■	■	■
Airbag SRS, front passenger's deactivation switch	■	■	■	■	■	■
Brake override system	■	■	■	■	■	■
Child proof rear door locks	LWB	-	-	■	■	■
Daytime running lights, LED type	■	■	■	■	■	■
Electric windows with anti-trapping function	■	■	■	■	■	■
ISOFix child seat mountings, 2nd row	■	■	■	■	■	■
Mitsubishi Active Stability & Traction Control (M-ASTC) with Brake Assist	■	■	■	■	■	■
Rear parking sensors	DFO	DFO	DFO	■	■	■
Rear view mirror, auto-dimming	■	■	■	■	■	■
Reversing camera	-	■	■	■	■	■
Seatbelts, 3-point ELR, all seats	■	■	■	■	■	■
Tyre pressure monitoring system	■	■	■	■	■	■
EXTERIOR FEATURES						
STYLING						
18" alloy wheels (5)	■	■	-	■	-	-
20" alloy wheels (4) – black/silver	DFO	DFO	■	DFO	DFO	DFO
20" alloy wheels (4) – silver	DFO	DFO	DFO	DFO	■	■
Bonnet badge	-	-	-	-	-	■
Bumper, front, colour keyed with chrome/silver centre frame	■	■	■	■	■	■
Bumper, rear, colour-keyed with silver under panel	■	■	■	■	■	■
Door entry guards, front	-	-	-	-	-	■
Door mirrors and handles, colour-keyed	■	-	-	■	■	■
Door mirrors, handles and headlamp surrounds, chrome finish	DFO	■	■	DFO	DFO	DFO
Front grille, black with chrome trim	■	■	■	■	■	■
Metallic or pearlescent paint finish	□	□	□	□	□	□
Privacy glass, rear side windows and tailgate window	□	■	■	■	■	■
Roof rails, black	■	■	■	■	■	■
Roof spoiler, colour keyed	DFO	■	■	■	■	■
Side steps, silver with black treads	■	■	■	■	■	-
Side steps, silver with black treads and stainless steel inlays	-	-	-	-	-	■
Spare wheel, alloy, central tailgate-mounted	■	■	■	■	■	■
Spare wheel, 18", temporary use	-	-	■	-	■	■
Spare wheel carrier, colour-keyed	SWB	■	■	-	-	-
Spare wheel carrier, colour-keyed with full-width black centre garnish	LWB	-	-	■	■	■
Spare wheel full cover, colour-keyed	-	-	■	-	-	-
Wheelarch and lower door mouldings, colour-keyed	■	■	■	■	■	■
Windscreen shade band	■	■	■	■	■	■
FUNCTIONAL						
Automatic lights on/off	■	■	■	■	■	■
Central door locking including tailgate, keyless entry	■	■	■	■	■	■
Door mirrors, electric/heated with folding function	■	■	■	■	■	■
Door mirrors with side indicators and approach lamps	■	■	■	■	■	■
Fog lamps, reflector type, front	■	■	■	■	■	■
Headlamps, automatic high beam	-	-	-	■	■	■

STANDARD AND OPTIONAL EQUIPMENT

	Shogun SWB/LWB SG2	Shogun SWB Warrior	Shogun SWB Barbarian	Shogun LWB SG3	Shogun LWB SG4	Shogun LWB SG5
EXTERIOR FEATURES						
FUNCTIONAL CONTINUED						
HID headlamps with auto-levelling and washers	■	■	■	■	■	■
Rear quarter windows, 'butterfly' type	■	■	■	■	■	■
Wipers, with automatic rain sensor, front	■	■	■	■	■	■
Wipers, variable intermittent with washer, front	■	■	■	■	■	■
Wiper, intermittent with washer, rear	■	■	■	■	■	■
INTERIOR FEATURES						
AUDIO/NAVIGATION/COMMUNICATIONS						
Aerial, element type, in window	■	■	■	■	■	■
Bluetooth® hands-free telephone connection with music streaming	■	■	■	■	■	■
DAB radio	-	■	■	■	■	■
Input port, USB, front	■	■	■	■	■	■
Input port, USB, twin rear	-	-	-	-	-	■
Premium 860W Rockford audio system with 12 speakers	-	-	-	■	■	■
Radio/CD/MP3 player with 6 speakers	■	■	■	-	-	-
Rear seat DVD entertainment system with HD screens and HDMI input	-	-	-	-	■	-
Satellite navigation system/CD/tuner with touch-screen and iPod® direct control	-	■	■	■	■	■
STYLING						
Door inner handles, chrome	■	■	■	■	■	■
Electric window switch panels and centre air vents, silver	■	■	■	■	■	■
Floor mat set (including boot mat), black with edging colour-keyed to leather	-	-	-	-	-	■
Gear/transfer shift knobs and handbrake lever, leather-wrapped	■	■	■	■	■	■
Interior trim panels, metallic with aluminium print finish (not Deep Bronze exterior colour)	■	■	■	■	■	■
Interior trim panels, metallic with wood grain print finish (Deep Bronze exterior colour only)	-	-	-	■	■	■
Pedals, sports type, aluminium	DFO	DFO	■	DFO	DFO	DFO
Seat trim, fabric	■	-	-	-	-	-
Seat trim, leather	-	■	-	■	■	-
Seat trim, premium black leather with Barbarian logo	-	-	■	-	-	-
Seat trim and door inlays, premium leather (red, cream or dark grey)	-	-	-	-	-	■
Steering wheel, 4-spoke, leather-wrapped with remote audio and cruise control	■	■	■	■	■	■
CONVENIENCE						
Access support grips, front	■	■	■	■	■	■
Access support grips, rear	LWB	-	-	■	■	■
Air conditioning, climate control	■	■	■	■	■	■
Cabin air filter, anti-odour	■	■	■	■	■	■
Cruise control	■	■	■	■	■	■
Cargo room underfloor compartment	■	■	■	■	■	■
Floor console box with slide-adjustable centre armrest and storage boxes	■	■	■	■	■	■
Front seat backrest pockets	■	■	■	■	■	■
Glove box, lockable and illuminated	■	■	■	■	■	■
Illuminated ignition keyhole with time delay	■	■	■	■	■	■
Retractable assist grip x 4	SWB	■	■	-	-	-
Retractable assist grip x 6	LWB	-	-	■	■	■
Rear seat overhead ventilation outlets	LWB	-	-	■	■	■
Rear air conditioning with separate control panel	LWB	-	-	■	■	■
Storage box in tailgate trim	■	■	■	■	■	■
Sunglasses pocket, overhead type	■	■	■	-	-	-
Sunvisors, driver's & passenger's, extendable with illuminated vanity mirrors	■	■	■	■	■	■

■ : Standard □ : Option at additional cost - : Not available

STANDARD AND OPTIONAL EQUIPMENT

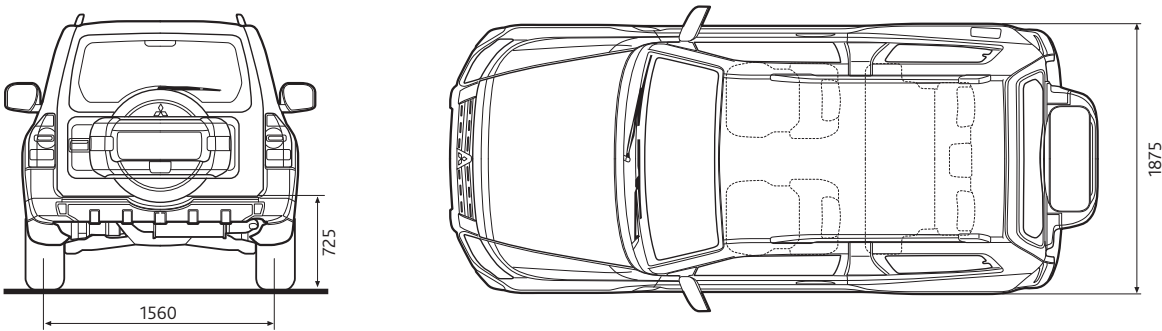
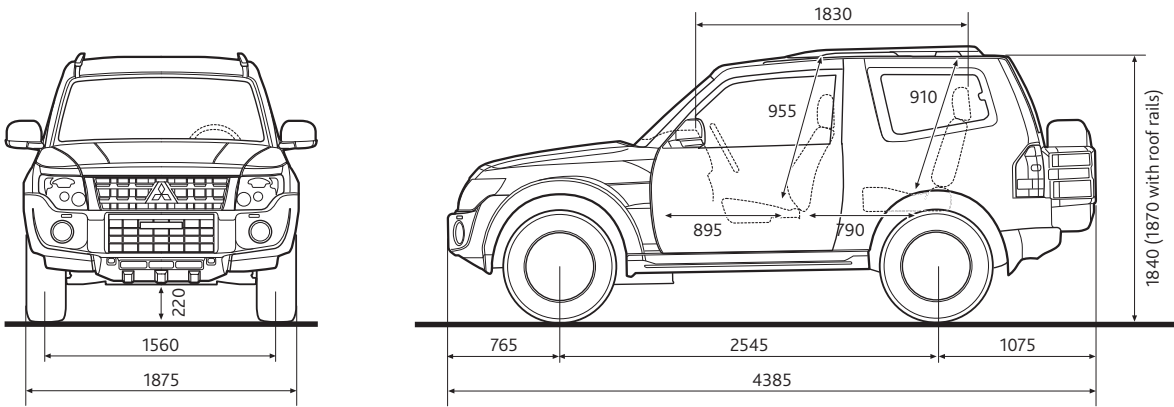
INTERIOR FEATURES	Shogun SWB/LWB SG2	Shogun SWB Warrior	Shogun SWB Barbarian	Shogun LWB SG3	Shogun LWB SG4	Shogun LWB SG5
FUNCTIONAL						
Accessory socket x 3	■	■	■	■	■	■
Door mirrors, electric heated with folding function	■	■	■	■	■	■
Electric sunroof, glass tilt/slide	–	–	–	■	■	■
Electric windows with driver's one-touch open/close, front	■	■	■	■	■	■
Electric windows with driver's one-touch open/close, rear	LWB	–	–	■	■	■
Headlamp levelling, automatic control	■	■	■	■	■	■
Mitsubishi Multi Communication System with touch screen display	–	■	■	■	■	■
Multi-info display	■	■	■	■	■	■
Steering wheel, tilt adjustable	■	■	■	■	■	■
Tailgate strut, oil damper type	■	■	■	■	■	■
LIGHTING						
Door courtesy lamps, front	■	■	■	■	■	■
Door courtesy lamps, rear	LWB	–	–	■	■	■
Interior lamp with map lamps, front	■	■	■	■	■	■
LED down-light, centre console	■	■	■	■	■	■
LED footwell lamps, front and second row seats	■	■	■	■	■	–
LED mood lighting and interior lamp package	–	–	–	–	–	■
Luggage/cargo area lamp	■	■	■	■	■	■
Personal lamps, 2nd row	■	■	■	■	■	■
SEATS						
Armrest, front – centre with sliding adjustment	■	■	■	■	■	■
Armrest, 2nd row – centre with built-in cup holders	LWB	–	–	■	■	■
Armrests, 2nd row – side with built-in cup holders	SWB	■	■	–	–	–
Head restraints, front – height adjustable x 2	■	■	■	■	■	■
Head restraints, 2nd row – height adjustable x 3	■	■	■	■	■	■
Head restraints, 3rd row – detachable x 2	LWB	–	–	■	■	■
Seats, front – driver's height adjuster	■	■	■	■	■	■
Seats, front – driver's lumbar adjuster	–	–	–	■	■	■
Seats, front – heated x 2	■	■	■	■	■	■
Seats, rear – heated x 2	–	–	–	–	–	■
Seats, front – driver's 5-way power seat	–	■	■	–	–	–
Seats, front – driver's 5-way and passenger's 4-way power seats	–	–	–	■	■	■
Seats, front – fully flat folding	■	■	■	■	■	■
Seats, front – seatbelt height adjustment	■	■	■	■	■	■
Seats, front – passenger's side 'walk-in' system	SWB	■	■	–	–	–
Seats, 2nd row – 60/40 split/folding, tip-up	■	■	■	■	■	■
Seats, 2nd row – reclining, fully flat folding	■	■	■	■	■	■
Seats, 3rd row – reclining, fold-away/removable bench type	LWB	–	–	■	■	■

■ : Standard □ : Option at additional cost – : Not available

DIMENSIONAL VIEWS

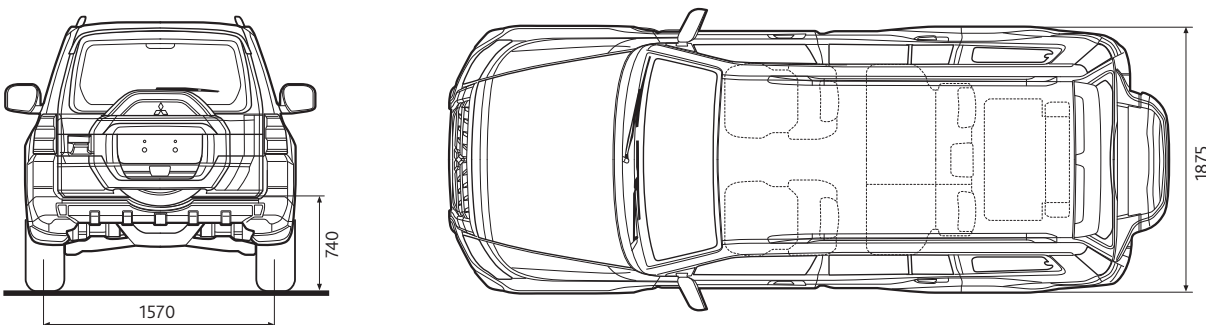
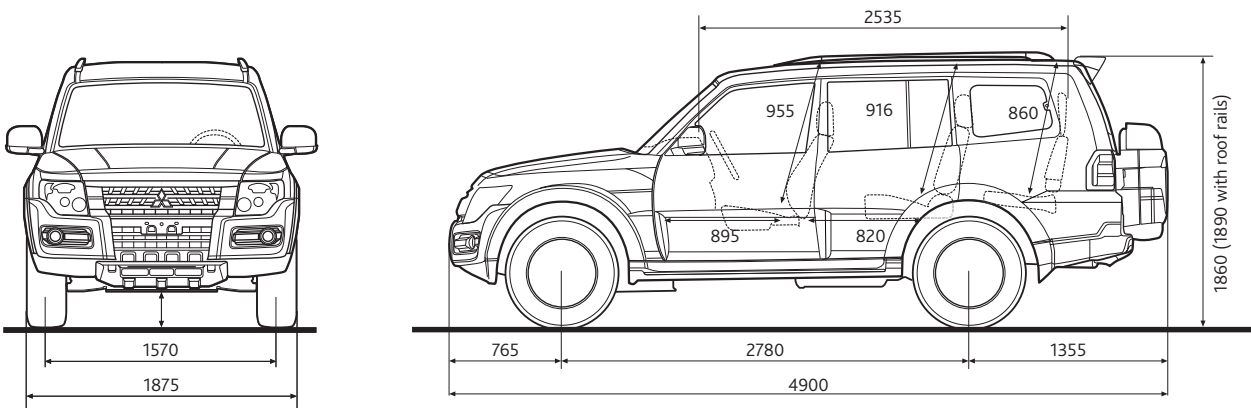
Short Wheel Base 3-Door

All measurements in millimetres.



Long Wheel Base 5-Door

All measurements in millimetres.



MITSUBISHI MOTORS RECYCLING

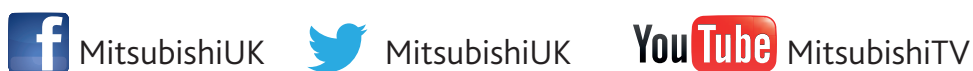
We all have a duty to protect the environment. After a long working life we will take back any Mitsubishi Motors vehicle originally sold by The Colt Car Company Ltd. and recycle it in an environmentally friendly manner in accordance with the EU Directive on End-of-Life Vehicles and any applicable national statutory provisions.

All Mitsubishi Motors vehicles sold by The Colt Car Company Ltd., irrespective of date of sale, will be taken back free of charge from the last owner, at one of the designated take-back points, provided the vehicle contains all major components and is free of waste.

For further information please visit www.cartakeback.com, email info@cartakeback.com or call the Cartakeback info-line on 0845 257 32 33.

The specification of the vehicles illustrated in this publication may not be applicable to the UK market, furthermore some vehicle illustrations may include accessory items which are not part of UK standard specification. However, every effort has been made to ensure that the written information was accurate, up-to-date and consistent with UK specification at the time of going to press. The right is reserved to change specification, features and prices without prior notice. To avoid any misunderstandings, your Mitsubishi Motors dealer will advise of any alterations made since the date of issue of this brochure. No part of this publication may be reproduced in any form or by any means, without the prior written permission of The Colt Car Company Limited.

Head Office: The Colt Car Company Ltd., Watermoor, Cirencester, Glos. GL7 1LF
Website: www.mitsubishi-cars.co.uk



This brochure has been produced by an ISO14001 environmentally accredited printer where all processes are managed and materials recycled. The paper used to produce this brochure is from sustainable forests, chlorine free and from an ISO14001 accredited mill. This brochure is fully recyclable.

